

TEST REPORT

15-0236IT-B

Issued on July 09th 2015

CLIENT

NOTTS SPORT LTD

PRODUCT NAME

SHOCKWAVE

TYPE

ELASTIC LAYER

Test according to:

**UNI EN ISO 12958:2010 Geotextiles and geotextiles-related products –
Determination of water flow capacity in their plane, according to the
changes provided by Performance Guide for Shockpads of ESTO
Shockpad Working Group**

*This report may not be used for commercial purposes unless it is reproduced in
its entirety*

The results are valid only for the submitted samples as described in this report

SCOPE OF THE TEST PROGRAMME	3
REFERENCE STANDARDS AND REGULATIONS USED	3
STORAGE TIMES	3
SAMPLING	3
APPLICANT	3
DATA ACQUISITION	3
SAMPLE IDENTIFICATION	4
<i>PICTURE OF THE UPPER SIDE</i>	4
<i>PICTURE OF THE LOWER SIDE</i>	4
TEST RESULTS	5
<i>WATER DETAILS</i>	5
<i>GRAPH (FLOW CAPACITY/GRADIENT)</i>	5
<i>DEVIATION FROM THE UNI EN ISO 12958:2010</i>	5
APPARATUS USED	6
ADDITIONAL INFORMATION	6
CONCLUSIONS	6

SCOPE OF THE TEST PROGRAMME

Determination of plan hydraulic capacity value according to UNI EN ISO 12958:2010 Geotextiles and geotextiles-related products – Determination of water flow capacity in their plane, according to the changes provided by Performance Guide for Shockpads of ESTO Shockpad Working Group.

REFERENCE STANDARDS AND REGULATIONS USED

UNI EN ISO 12958:2010 Geotextiles and geotextiles-related products – Determination of water flow capacity in their plane.

Performance Guide for Sshockpads by ESTO Shockpad Working Group.

STORAGE TIMES

Storage of documents 4 years and samples 1 month from the issue of the report.

SAMPLING

Sampling carried out by the customer.

APPLICANT

**COMPANY
ADDRESS**

NOTTS SPORT LTD
Innovation House, Megna Park, Lutterworth
Leicestershire - LE17 4X

COUNTRY

England

DATA ACQUISITION

DATE OF RECEIPT OF ORDER	June 02 nd 2015
DATE OF RECEIPT OF FIRST SAMPLE	May 26 th 2015
DATE OF RECEIPT OF LAST SAMPLE	May 26 th 2015
STARTING DATE OF TESTS	June 04 th 2015
ENDING DATE OF TESTS	June 05 th 2015

SAMPLE IDENTIFICATION

PICTURE OF THE UPPER SIDE



PICTURE OF THE LOWER SIDE



Measured thickness 55mm

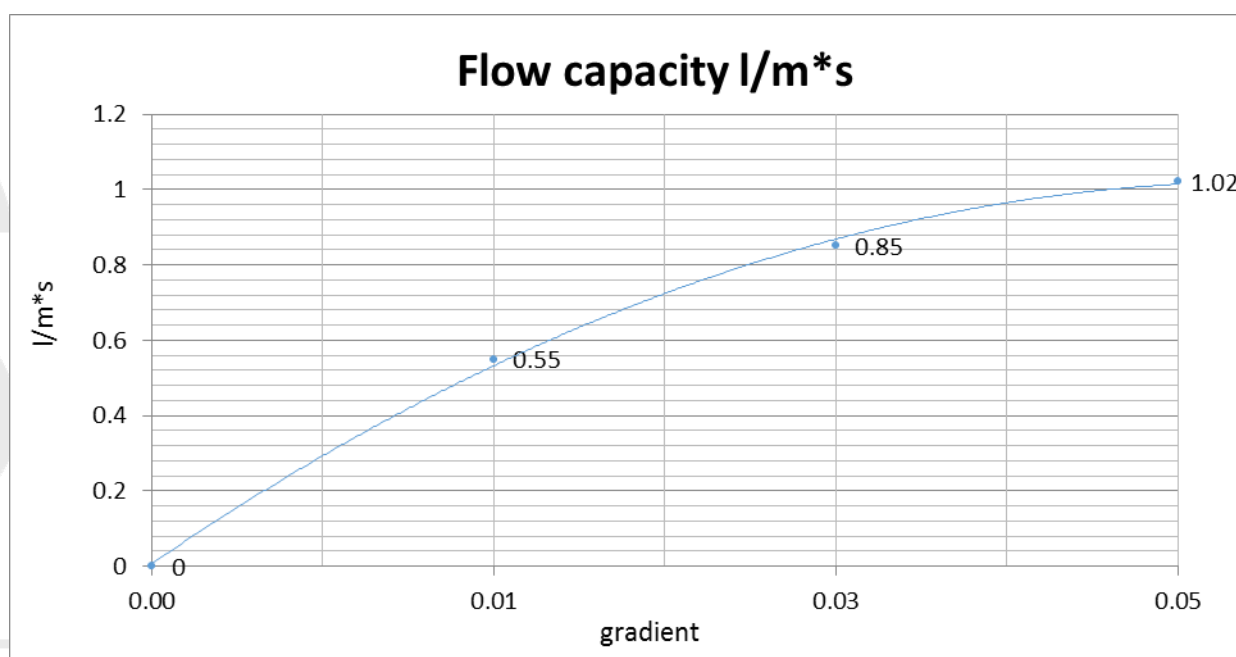
TEST RESULTS

Flow capacity $l/(m^*s)$				
Gradient	Sample 1 $l/(m^*s)$	Sample 2 $l/(m^*s)$	Sample 3 $l/(m^*s)$	Mean value $l/(m^*s)$
0.01	0.553	0.551	0.556	0.55
0.03	0.845	0.853	0.849	0.85
0.05	1.023	1.024	1.024	1.02

WATER DETAILS

The water used for the test was from the main supply at a temperature 20.2°C

GRAPH (FLOW CAPACITY/GRADIENT)



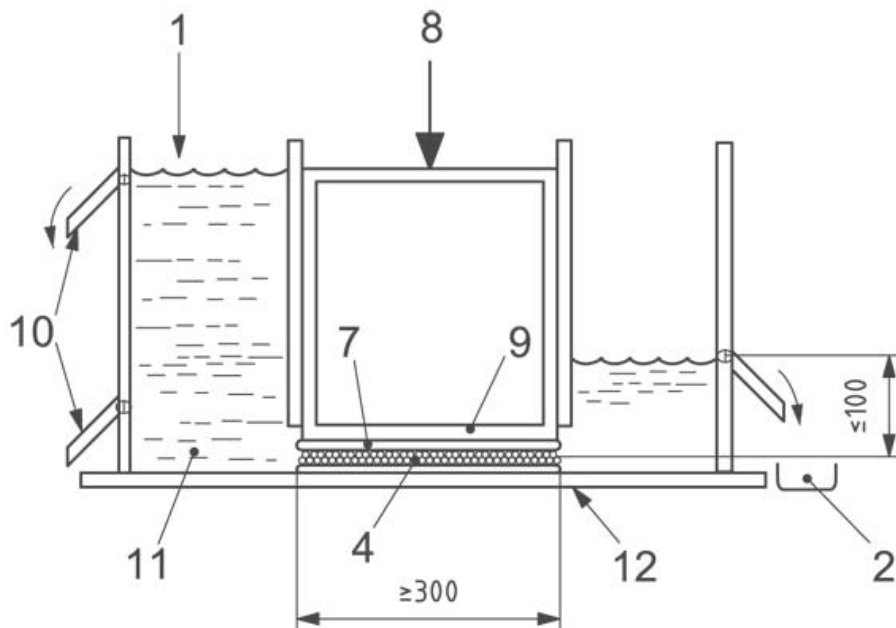
DEVIATION FROM THE UNI EN ISO 12958:2010

The tests have been carried out in accordance with the "Performance Guide for Shockpads" produced by the ESTO Shockpad Working Group.

The load applied to the sample was as indicated 2kPa for all gradients.

APPARATUS USED

The apparatus used is fully in accordance with the description of the standard UNI EN ISO 12958:2010. Following a diagram of the machine.



ADDITIONAL INFORMATION

Product is not isotropic. In one direction bubbles creates a straight line, at 90° bubbles are alternate. Test have been done using the worst case direction only.

CONCLUSIONS

None

Laboratory director
Roberto Armeni



Technician
Davide Giorgini